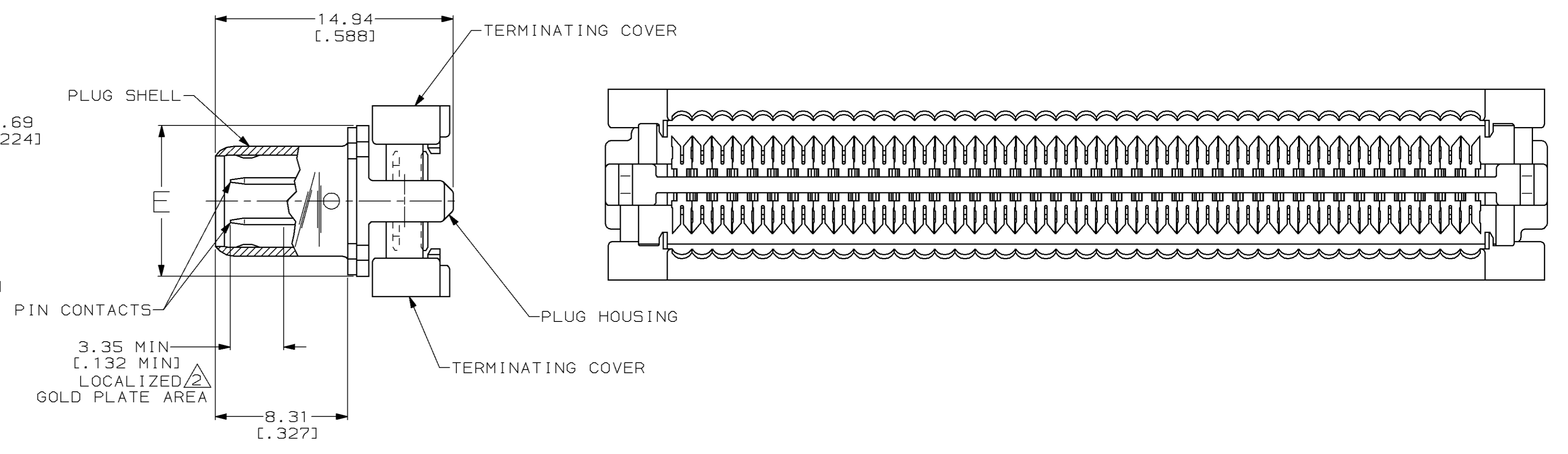
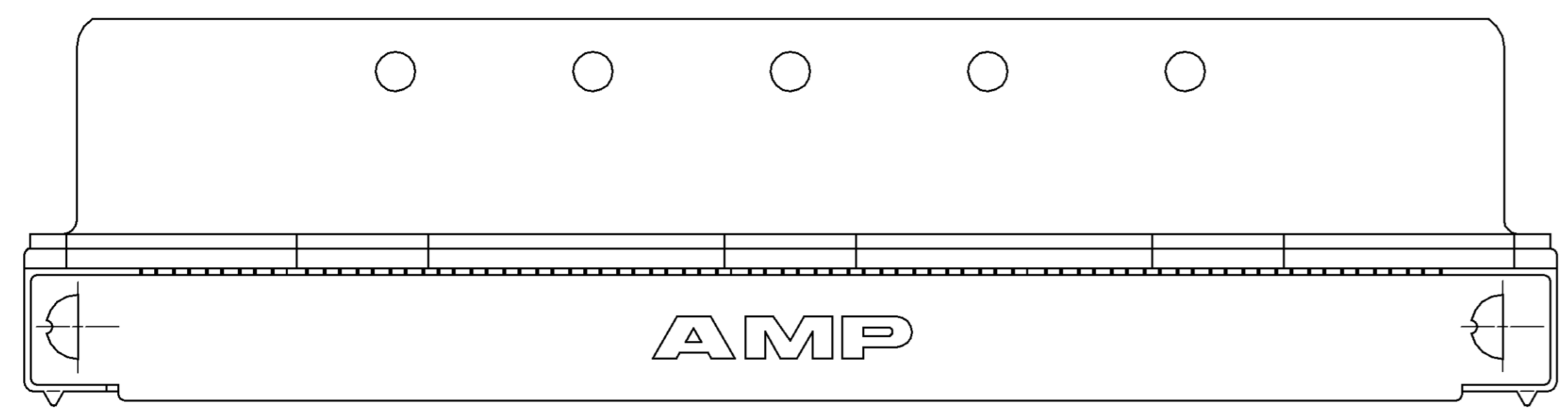
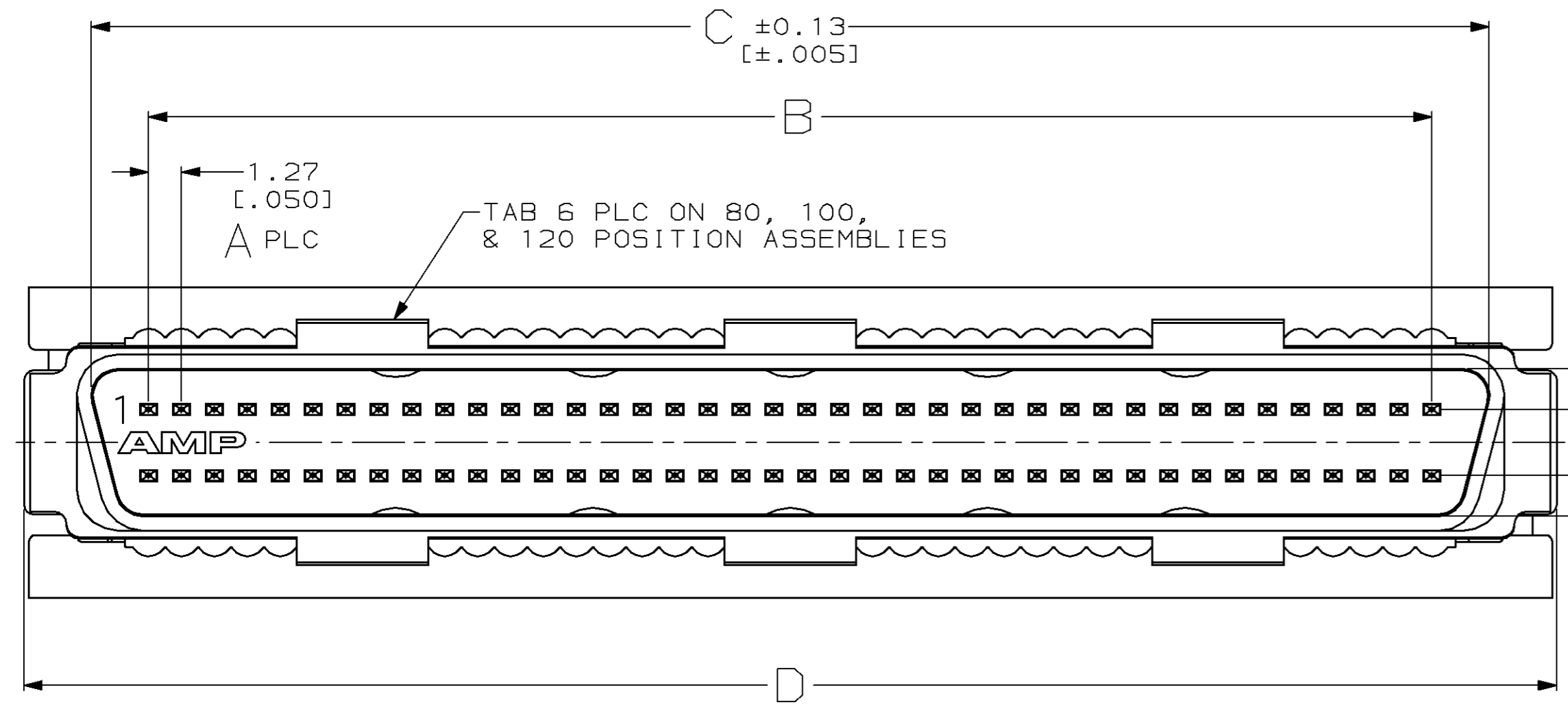


LOC	DIST	P	F	ZONE	LTR	REVISIONS		
						DESCRIPTION	DATE	APPD
	BD	95			K	REV PER EC 0020-1245-93	11/18/93	RM
					L	REV PER EC 0020-1168-94	11/09/94	RM
					M	REV PER EC 0020-1318-94	03/21/95	RM
					N	REV PER EC 0020-0228-95	07/10/95	RM
					P	REV PER EC 0020-981-94	05 FEB 96	RM
					R	OBSOLETE -2, -5 AND -11 PER EC 0020-481-96	09 JAN 97	LB



7.44 [.293]	31.22 [1.229]	25.96 [1.022]	21.59 [.850]	17	36	△ 1-749111-1
7.44 [.293]	24.87 [.979]	19.61 [.772]	15.24 [.600]	12	26	1-749111-0
9.47 [.373]	84.56 [3.329]	79.30 [3.122]	74.93 [2.950]	59	120	749111-9
9.47 [.373]	71.86 [2.829]	66.60 [2.622]	62.23 [2.450]	49	100	749111-8
9.47 [.373]	59.16 [2.329]	53.90 [2.122]	49.53 [1.950]	39	80	749111-7
7.44 [.293]	51.54 [2.029]	46.28 [1.822]	41.91 [1.650]	33	68	749111-6
7.44 [.293]	46.46 [1.829]	41.20 [1.622]	36.83 [1.450]	29	60	△ 749111-5
7.44 [.293]	40.11 [1.579]	34.85 [1.372]	30.48 [1.200]	24	50	749111-4
7.44 [.293]	33.76 [1.329]	28.50 [1.122]	24.13 [.950]	19	40	749111-3
7.44 [.293]	26.14 [1.029]	20.88 [.822]	16.51 [.650]	13	28	△ 749111-2
7.44 [.293]	21.06 [.829]	15.80 [.622]	11.43 [.450]	9	20	749111-1

- 1 MATERIAL:  
 PIN CONTACTS- PHOSPHOR BRONZE.  
 PLUG SHELL- STEEL.  
 PLUG HOUSING AND TERMINATING COVERS- UL V-0 RATED THERMOPLASTIC,  
 COLOR: BLACK.
- 2 PLATING:  
 PIN CONTACTS- 0.76µm [0.00030] MIN GOLD IN LOCALIZED GOLD PLATE AREA,  
 1.27µm [0.00050] MIN TIN-LEAD IN TERMINATION AREA,  
 ALL OVER 1.27µm [0.00050] MIN NICKEL.  
 PLUG SHELL- 0.25µm [0.00010] MIN TIN-NICKEL OVER 3.81µm [0.00150] MIN NICKEL  
 OVER 2.54 µm [0.00100] MIN COPPER.
- 3. RECOMMENDED WIRE:  
 28 AWG OR 30 AWG, SOLID OR 7 STRAND, WITH A 0.74-0.91 [0.029-.036]  
 INSULATION DIAMETER. WIRE MUST BE APPROVED BY AMP INCORPORATED.
- 4 OBSOLETE PART NUMBER.

		E	D	C	B	A	NO OF POSN	PART NO
DO NOT SCALE PRINT. UNLESS SPECIFIED DIMENSIONS IN mm [INCHES] TOLERANCES ON: 2 PLC DEC ± 0.38 [.015] 3 PLC DEC ± - ANGLES ± -	DR 11-17-88 M.A. McCAFFREY CHK 11-17-88 M.E. SHIRK APPD 11-18-88 WAYNE S. DAVIS MATERIAL - △ FINISH - △ WEIGHT							
		AMP INCORPORATED Harrisburg, Pa. 17105			NAME PLUG ASSEMBLY, AMPLIMITE® .050 Series			
		SIZE D	FSCM NO 00779	DRAWING NO 749111		SHEET 1 OF 1		
		SCALE 5:1						